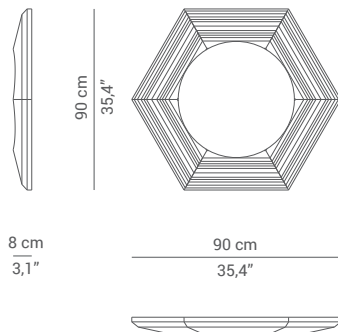




### LENOX | MIRROR

The Lenox wall mirror, handcrafted by the most experienced craftsmen of Boca do Lobo Studio, is a stylish original piece that adds class and elegance to luxury houses. The hexagonal frame of this round mirror is made from either oak or mahogany wood. The wood can be lacquered in four-color finishes (white, black, silver or gold). Contemporary, exquisite and unique, the Lenox mirror is the high end piece missing in your home.



#### DIMENSIONS

WITH: 90 cm | 35,4"  
DEPTH: 8 cm | 3,1"  
HEIGHT: 90 cm | 35,4"

#### MATERIALS

Mirror: Convex mirror  
Frame: Black colored lacquer Handcrafted octagonal wood frame with high gloss varnish

#### PACKAGING

DIMENSIONS: W. 96 cm | 37,8" D. 14 cm | 5,5" H. 96 cm | 37,8"  
VOLUME: 0,13 m<sup>3</sup> | 4,6 ft<sup>3</sup>  
WEIGHT: 32 kg | 70,5 lb

#### LEAD TIME

Production time is between 10 to 12 weeks for MAISON VALENTINA collections.  
**Delivery time is not included.**  
All of our furniture can be made to measure and it is available in different finishes.  
Please note that the colours and materials shown are for reference only. Small variations may occur.